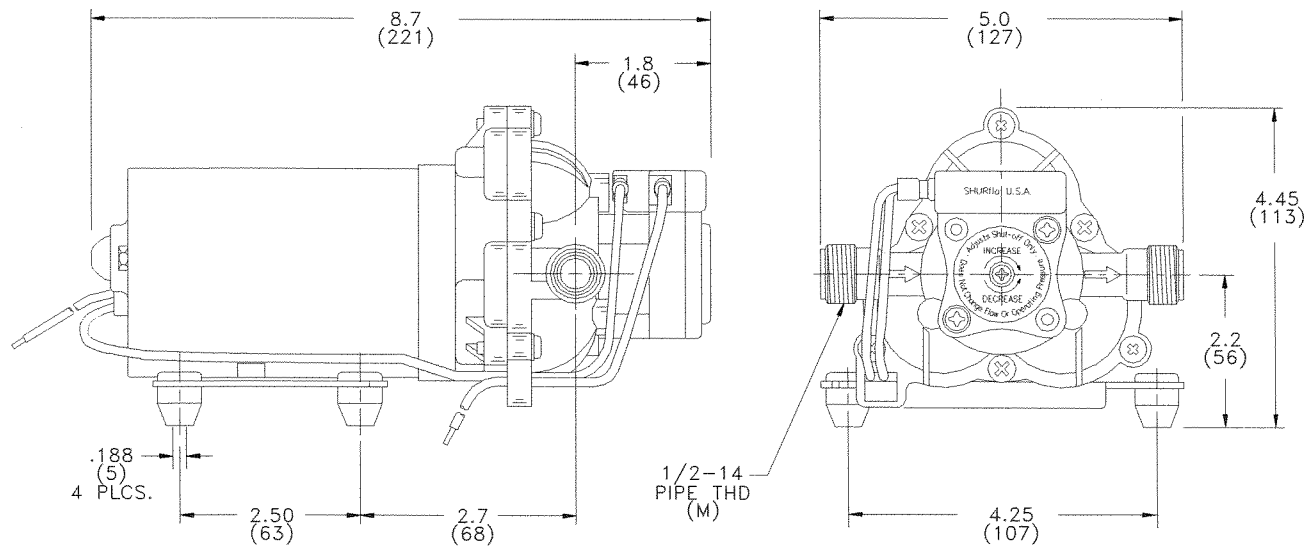


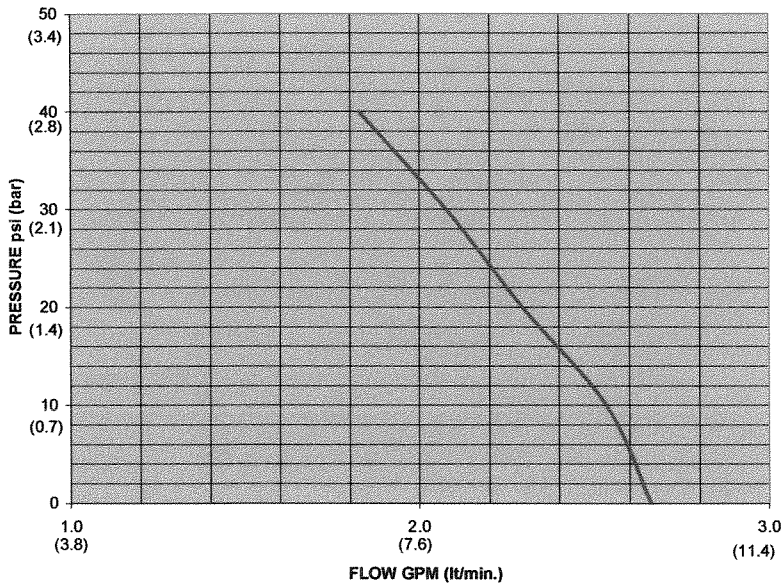
MODEL NUMBER: 2088-592-054

PUMP DESIGN:	Positive Displacement 3 Chamber Diaphragm Pump
CHECK VALVE:	(1-Way Op.) Prevents Reverse Flow
CAM:	3.0 Degree
MOTOR:	Permanent Magnet, P/N 11-160-10, Thermally Protected
VOLTAGE:	115 VAC Nominal
PRESSURE SWITCH:	45 psi [3.15 bar] shut-off, Turn on 25 ± 5 psi [1.72 ± 0.35 bar]
PRIME:	Self-Priming Up To 6 Ft. Vertical
PORTS:	1/2"-14 NPT, male
PUMP-HEAD MATERIALS OF CONSTRUCTION:	<i>PLASTICS-</i> Polypropylene, Nylon <i>VALVES-</i> Santoprene <i>DIAPHRAGM-</i> Santoprene <i>FASTENERS-</i> Stainless Steel
NET WEIGHT:	5.1 Lbs (2.31 Kg)
DUTY CYCLE:	Intermittent /90 min. max. continuous (See Temperature Rise Chart)
APPROVALS:	NSF/ UL / CSA Recognized components
TYPICAL APPLICATIONS:	Residential Water Delivery
BYPASS:	N/a

DIMENSIONS:

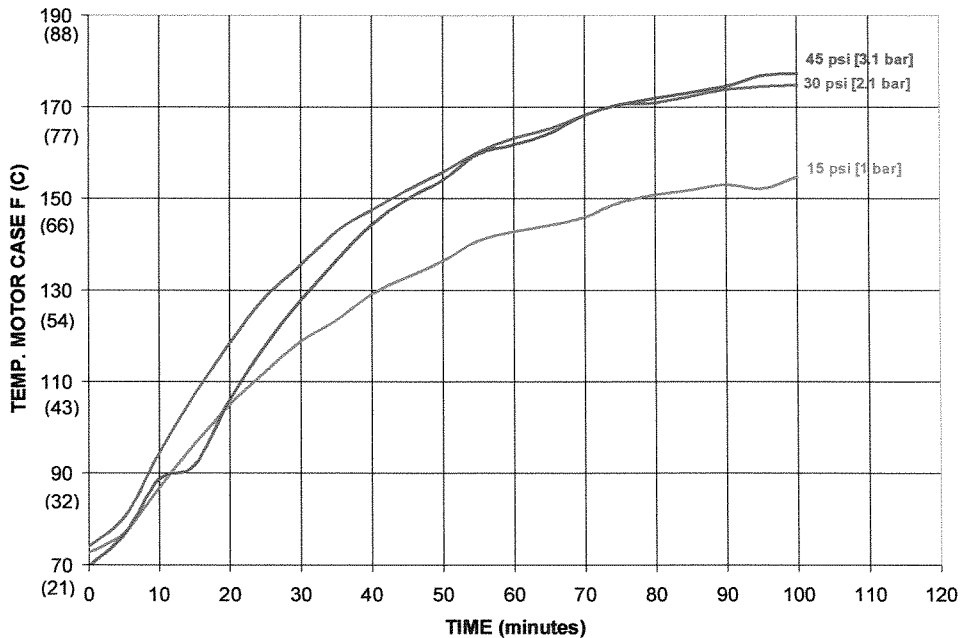


Typical Performance



Pressure Psi	Flow GPM Lit min	RPM Min Max	Current amps	Voltage Volts
Open	2.66 / 10.1	1927 / 1958	0.54	115
10	2.53 / 9.6	1861 / 1895	0.60	“
20	2.30 / 8.7	1752 / 1781	0.71	“
30	2.08 / 7.9	1657 / 1689	0.81	“
40	1.83 / 6.9	1592 / 1605	0.9	“
50	-	-	-	-

Temperature Rise



This graph is for use as a design guide. It is based on running continuously with an ambient temperature of 75°F in still air. The thermal breaker will open when the case temperature reaches 248°F. [-----trip point of thermal protector]



SHURflo®



SHURflo reserves the right to update specifications, prices, or make substitutions

SHURflo ★
 5900 Katella Ave.
 Cypress, CA 90630
 (800) 854-3218 (562) 795-5200
 FAX (562) 795-7564
Shipping/UPS: 5900 Katella Ave., Ste.B
 Cypress, CA 90630

SHURflo East
 52748 Park Six Court,
 Elkhart, IN 46514-5427
 ((800) 762-8094
 (219) 262-0478
 FAX (219) 264-2169
 © 2002 Printed in USA

SHURflo Ltd.
 Unit 5 Sterling Park, Gatwick Road,
 Crawley, West Sussex, RH10 2QT
 United Kingdom
 +44 1293 424000
 FAX +44 1293 421880