

RV PRODUCT DATA SHEET

OEM: 2088-473-143 (Aqua-King)
AFTERMARKET: 2088-473-443 (Aqua-King)

APPLICATION

Multi-fixture RV fresh water installations. Other uses may include 24V DC pressurized water systems in cabins. This pump may be used for general fresh water transfer.

PUMP:

Type: 3 Chamber Diaphragm
 Ports: 1/2"-14 NPSM-Male.
 Liquid: 130 °F [54 °C] Max
 Dry-Prime: 9 feet [2.7 M]
 Inlet PSI: 30 PSI [2.1 Bar] Max
 Run Dry: Yes



ELECTRICAL:

Motor: 24VDC Permanent Magnet, Intermittent Duty
 Protection: Thermal Overload, Automatic Restart
 Leads: 16 AWG, 16" [40 cm] Red +, 13" [33 cm] Black -
 Fuse: 5 Amp Recommended
 Control: Adjustable Switch. Shut-Off 30 PSI [2.1 Bar] ± 5 PSI [0.4Bar] Restart 18 PSI [1.2 Bar] ± 5 PSI [0.4 Bar]

MATERIALS:

Housing: Polypro
 Valves: EPDM
 Diaphragm: Santoprene
 Hardware: Zink Plated Steel

APPROVALS:

c-UL

SHIPPING:

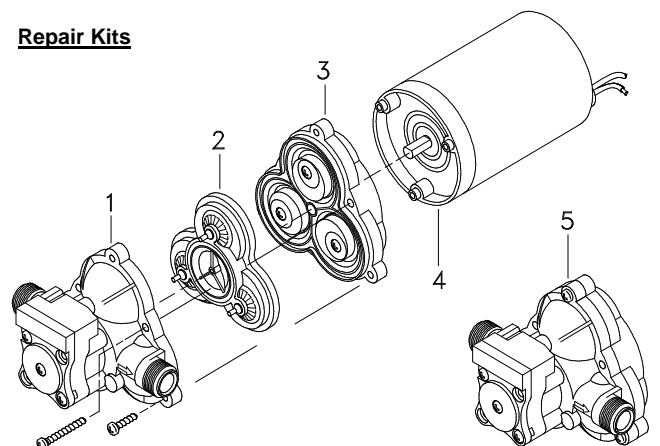
Net Weight: 5 Lb [2.3 Kg] each
 Carton Quantity: 6
 Carton Weight: 30 Lb [13.6 Kg]
 Carton Size: 24"L x 18"W x 5"H
 [60.9cm x 45.7cm x 12.7cm]

RELATED DOCUMENTS:

Catalog: MS-030-138
 Installation Manual: 911-352
 Applications Spec Guide: MS-020-005

These legendary pumps have set the standard for the RV Industry. SHURflo 2088 pumps are equipped to deliver high performance and reliability every time they are used. SHURflo potable water pumps operate three independent pumping chambers which allow the pump to self-prime and lift water up to 12 feet. With smooth flow and uninterrupted operation, the Classic™ Series pumps include a built-in check valve to prevent back flow into the tank. Each pump features an adjustable switch and the capacity to run dry without damage to the pump or motor.

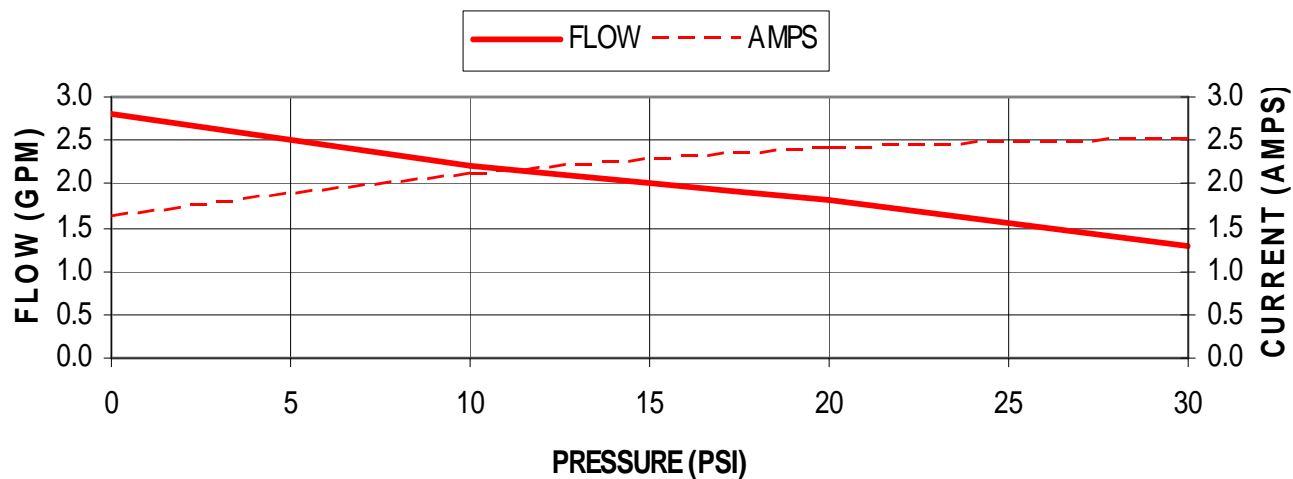
Repair Kits



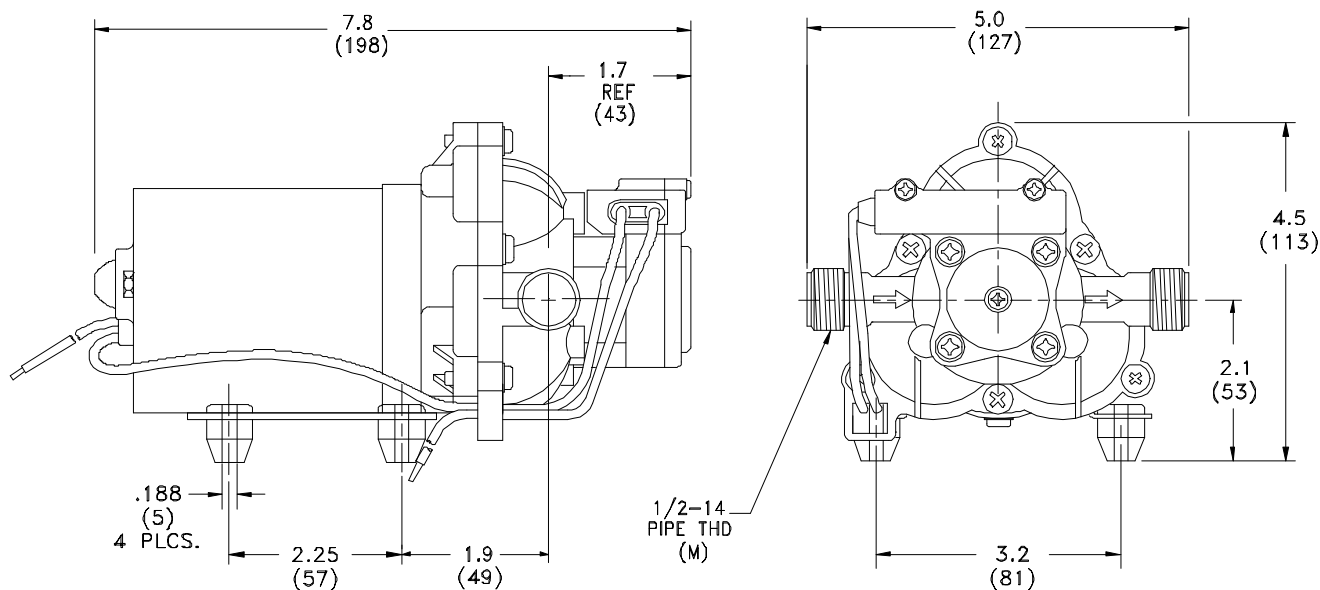
Number	Description	Part Number
1	Housing / Switch	94-231-24
2	Valve Assembly	94-232-06
3	Drive Assembly	94-238-04
4	Motor	94-11-142-10
5	Pump Head	94-236-08
Not Shown	Check Valve	94-237-00

TYPICAL PERFORMANCE

PRESSURE		FLOW		CURRENT
BAR	PSI	GPM	LPM	AMPS
0.0	0	2.8	10.5	1.6
0.7	10	2.2	8.3	2.1
1.4	20	1.8	6.9	2.4
2.1	30	1.3	4.9	2.5



DIMENSIONS [mm]



SHURflo reserves the right to update specifications, prices or make substitutions without notice.

SHURflo
 52748 Park Six Court
 Elkhart Indiana 46514-5427
 Toll Free: (800) 854-3218
 Fax: (574) 264-2169

SHURflo Europe, Middle East, Africa
Pentair Water Belgium bvba
 B-2200 Herentals, Belgium
 Phone: +32-14-283500
 Fax: +32-14-283505

Visit our Website at www.shurflo.com

